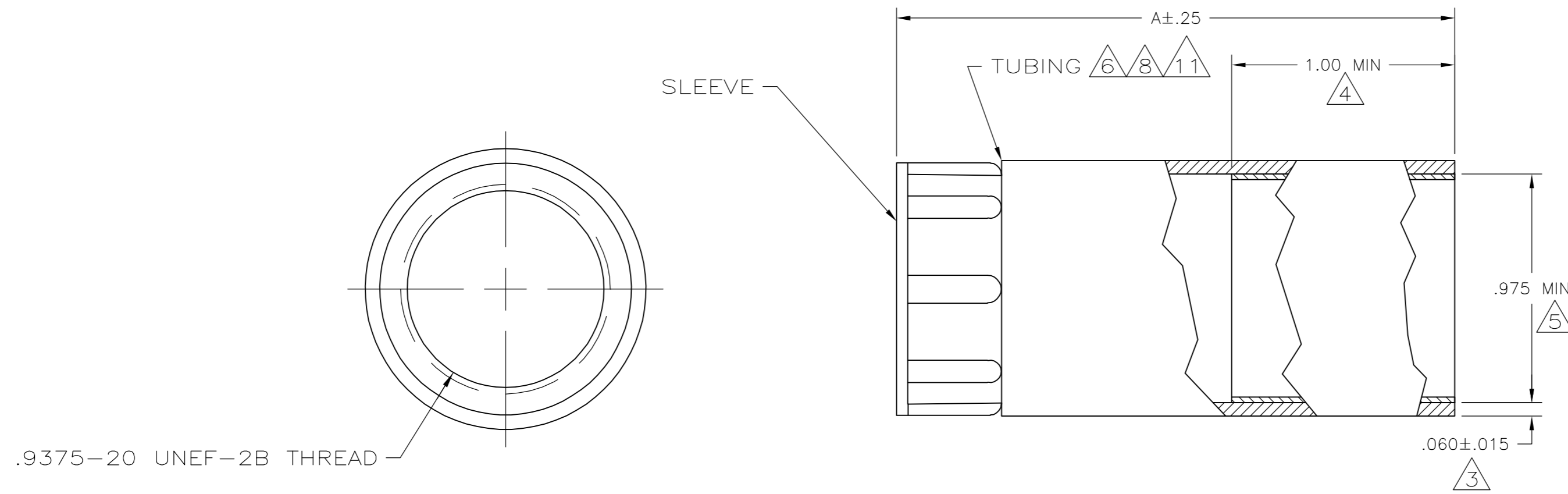


THIS DRAWING IS UNPUBLISHED. RELEASED FOR PUBLICATION
 © COPYRIGHT BY TYCO ELECTRONICS CORPORATION. ALL RIGHTS RESERVED.

LOC	DIST	REVISIONS					
FT	0	P	LTR	DESCRIPTION	DATE	DWN	APVD
		AA		REVISED PER ECO-06-26409	1/10/07	SS	SH



NOTES:

- ① POLYOLEFIN, BLACK.
- ② NYLON, BLACK.
- ③ NOMINAL WALL THICKNESS, EXPANDED.
- ④ LENGTH OF SEALANT.
- ⑤ EXPANDED INSIDE DIAMETER.
- ⑥ 9.52 [.375] MAXIMUM RECOVERED INSIDE DIAMETER.
- 7. ASSEMBLY WILL PASS 0.0703 KG PER SQ CENTIMETER [ONE POUND PER SQ IN.] WATER PRESSURE TEST.
- ⑧ 121°C [250°F] SHRINK TEMPERATURE.
- 9. -55°C TO 110°C [-67°F TO 230°F] OPERATING TEMPERATURE.
- 10. THIS PART WILL ACCOMODATE $\phi 10.16 - \phi 22.22$ [$\phi 400 - \phi 875$] CABLE RANGE.
- ⑪ ACTUAL SHAPE MAY VARY DUE TO PROCESS VARIANCE.

4.00	54011-4
3.25	54011-3
2.75	54011-1
A	PART NUMBER

THIS DRAWING IS A CONTROLLED DOCUMENT.		DWN C.REIFSNYDER 10 APR 96	Tyco Electronics Corporation Harrisburg, PA 17105	
DIMENSIONS: INCHES		CHK R.STONE 15 APR 95	NAME T.A.WETZEL	
TOLERANCES UNLESS OTHERWISE SPECIFIED:		APVD T.A.WETZEL 03 MAY 96	PRODUCT SPEC	
0 PLC ± - 1 PLC ± - 2 PLC ± - 3 PLC ± - 4 PLC ± - ANGLES ± - FINISH -		APPLICATION SPEC		
MATERIAL TUBING: ① SLEEVE: ②		WEIGHT -	SIZE A2	CAGE CODE 00779
		DRAWING NO C=54011		RESTRICTED TO -
		CUSTOMER DRAWING		SCALE 2:1 SHEET 1 OF 1 REV AA